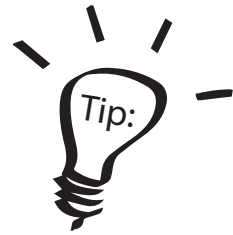
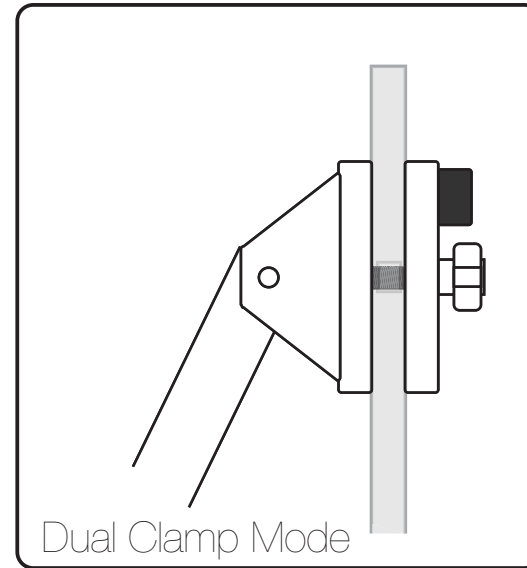
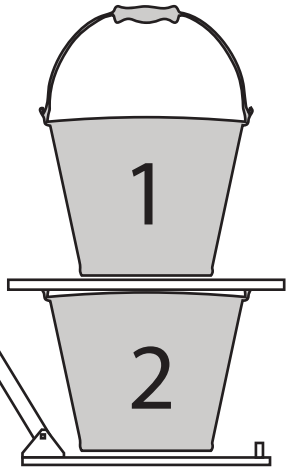




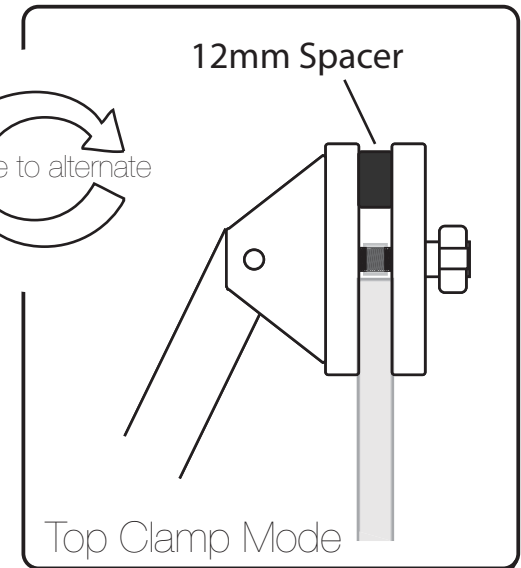
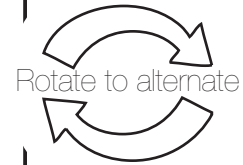
EzyBrace must be sufficiently weighted or screwed down to prevent glass panels from moving.
NOTE: The 12mm spacer is suitable for 12mm glass. If clamping different thickness glass, change the spacer to match the glass thickness for best clamping pressure. (Top Clamp mode only)



Water filled Buckets make excellent weights. You can stack two buckets high using a piece of board if additional weight is required.

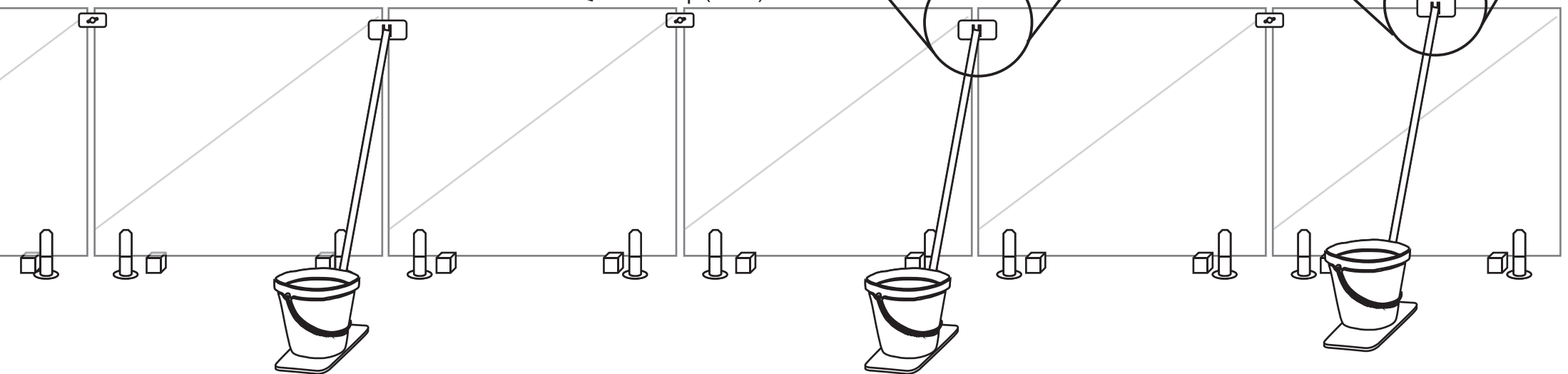


Dual Clamp Mode

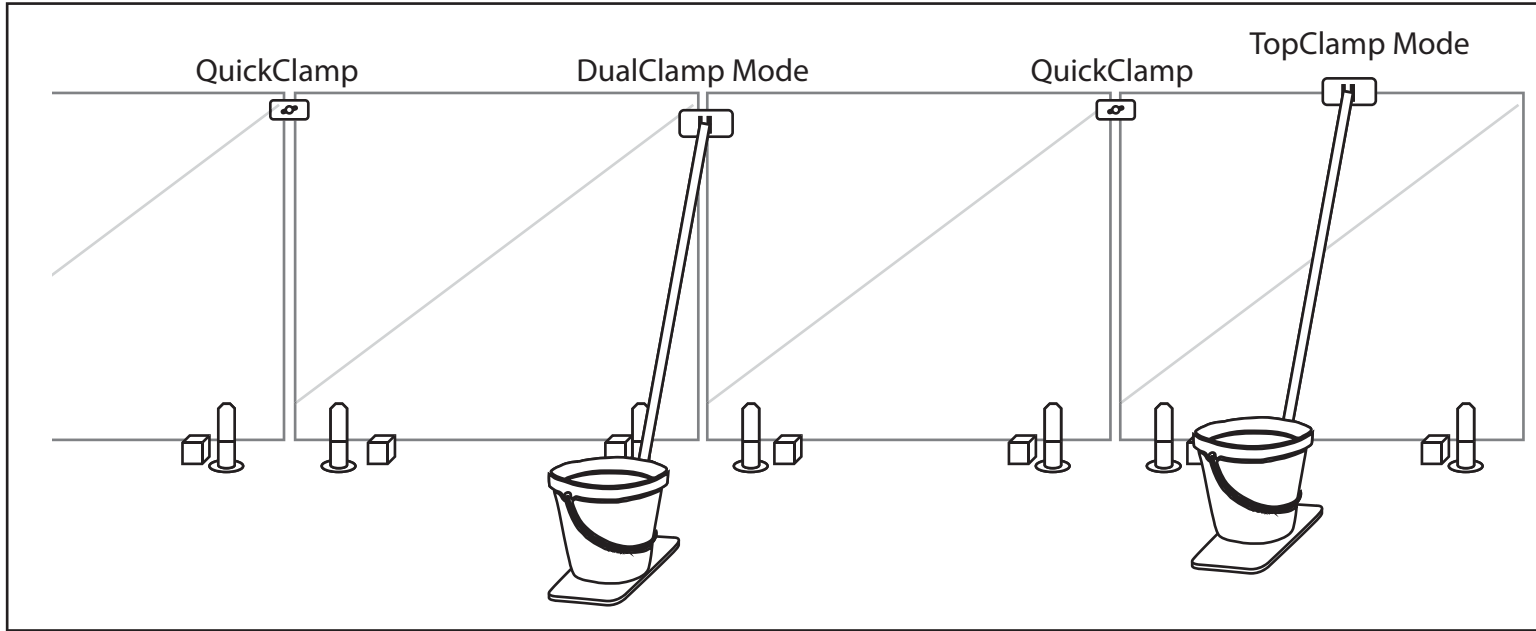


Top Clamp Mode

Quick Clamp (EXT1)



In low wind situations, use QuickClamps to reduce the number of EzyBrace required:



For strongest bracing, do not use QuickClamps & finish each run using TopClamp mode:

